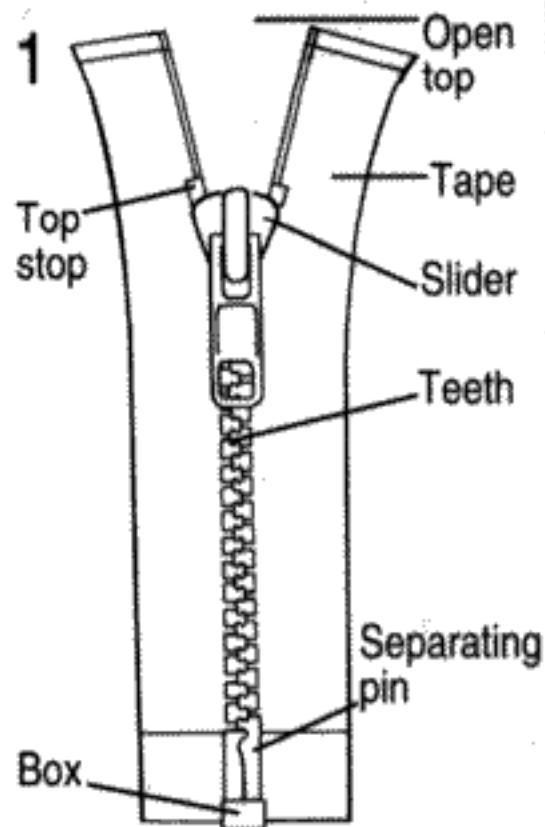
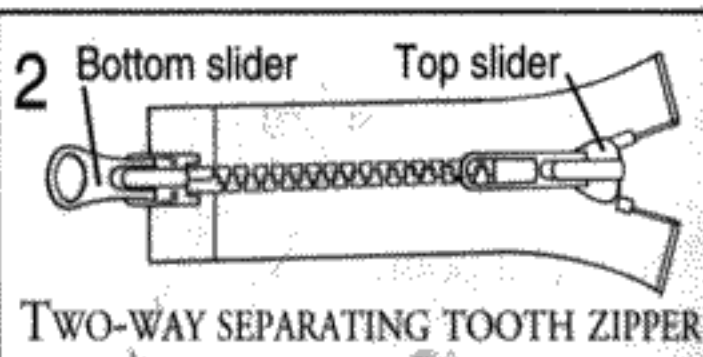


# ZIPPER ANATOMY

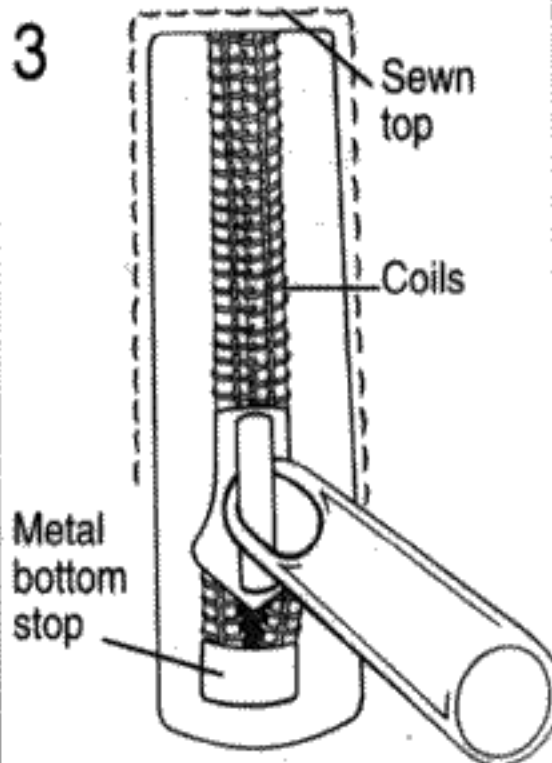
There are two types of zippers. Coil zippers (often called self-repairing zippers) are a spiral piece of nylon (*fig. 3*). Tooth zippers have individual metal or plastic teeth (*fig. 1*).



SEPARATING ZIPPER



TWO-WAY SEPARATING TOOTH ZIPPER



NONSEPARATING  
COIL ZIPPER

## SEPARATING ZIPPERS

are most commonly found in coats, life jackets, and sleeping bags (*fig. 1*).

TWO-WAY SEPARATING ZIPPERS are often found in coats and sleeping bags; these zip open from the bottom and the top (*fig. 2*).

NONSEPARATING ZIPPERS are used in packs, bags, pants, wetsuits, etc. (*fig. 3*).